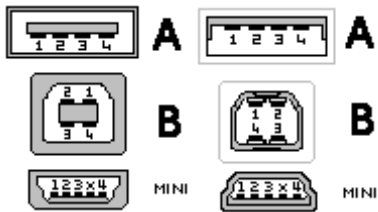
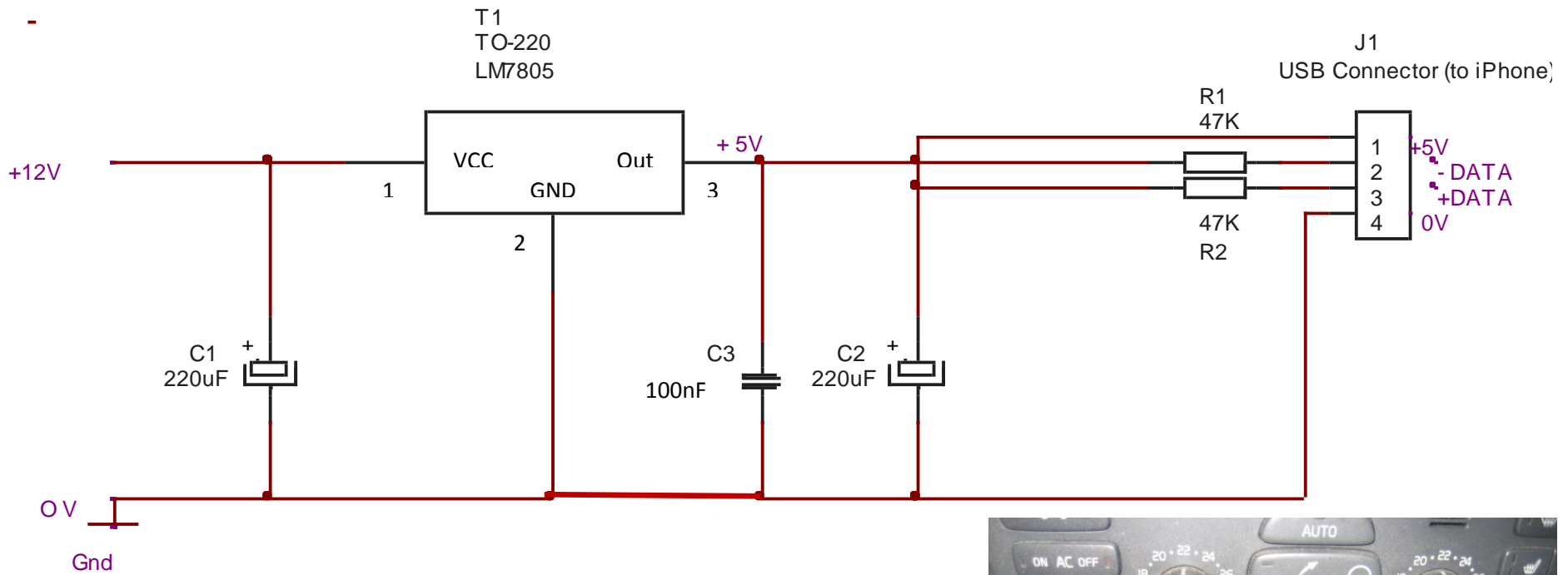


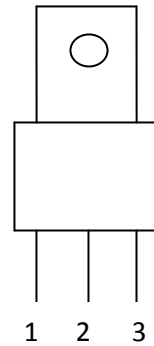
USB Charger for iPhone or other units which are charged from an USB connector.

For CAR use.



USB pin assignment:
 Pin 1 - VCC (+5 VDC)
 Pin 2 - D- (Data -)
 Pin 3 - D+ (Data +)
 Pin 4 - GND (Ground)

LM7805 (TO-220)



This is another way for iPhone where you get 2,8V out on -DATA and 2,0V out on +DATA
For CAR use.

